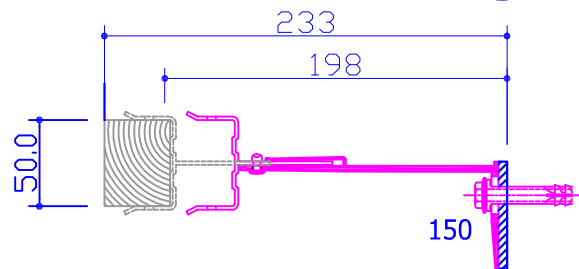
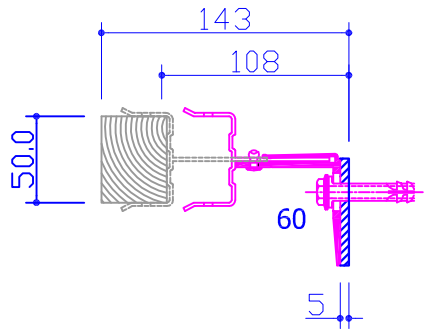
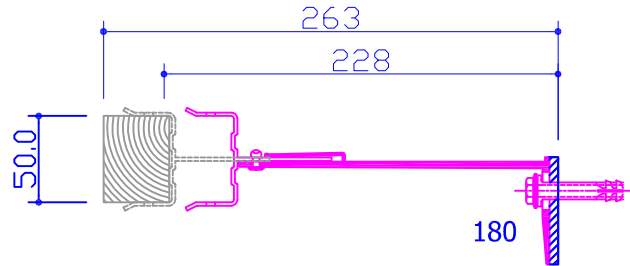
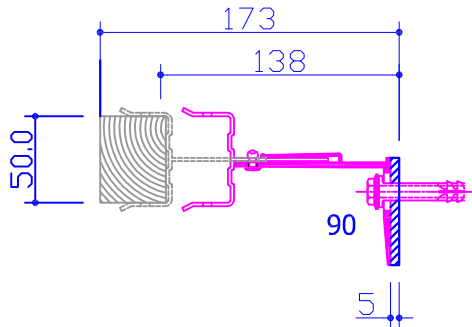
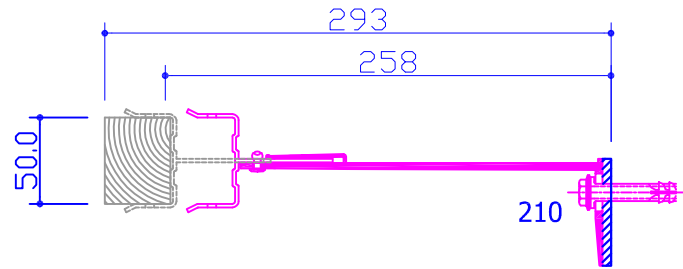
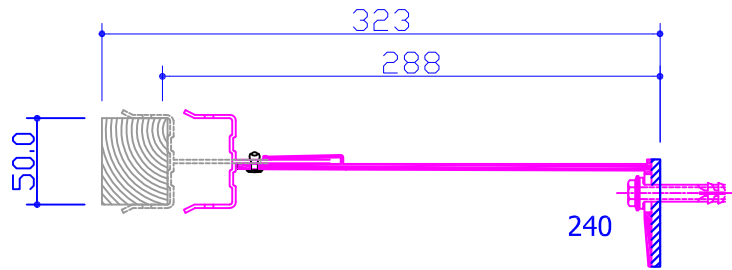
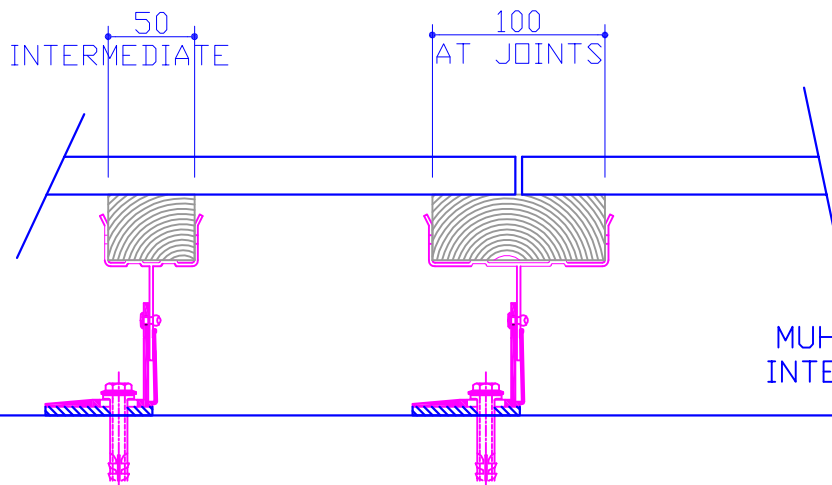
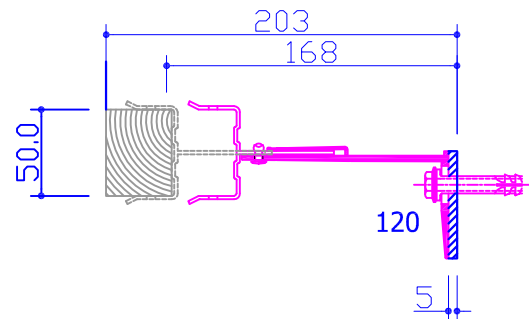


TIMBER BATTEN



MUH SYSTEM ASSEMBLY WITH MACFOX BRACKETS



MUH SYSTEM ASSEMBLY INTERMEDIATE AND JOINT

Our service is being supplied to you without charge and so we do not warrant to you that it is free from faults or defects. You use our free service at your own risk and in no event shall we be liable to you for any loss or damage of any kind (except personal injury or death resulting from our negligence) arising from your use of, or inability to use, our service or from faults or defects in any material provided to you as a result of using the service whether caused by negligence or otherwise. All intellectual property rights in the service and any materials provided to you as a result of using the service are retained by us. These terms are in lieu of all warranties, conditions, undertakings, terms and obligations implied by statute, common law, trade usage, course of dealing or otherwise, all of which are hereby excluded to the fullest extent permitted by law.

Component and layout dimensions based on information and drawings provided to Eurofox Engineering LTD on project checklist reference
 Layout details are indicative and subject to change in accordance with actual site conditions and measurements.



Tele - +44 (0)1707 333 396
 Fax - +44 (0)1707 333 343
 e-mail :- project@eurofoxengineering.com

DRAWN BY
 NJE
 DATE
 28/03/08

SCALE
 1:3

TITLE
 MUH TIMBER SYSTEM SHOWING
 MIN AND MAX DIMS

PROJECT NAME
 00000

DRAWING NUMBER
 EEL 0000

issue number and date